

# ASSEMBLY INSTRUCTIONS

## BASE CABINET (B24,B27,B30)

### CABINET PARTS LIST

**A-Doors & Face Frame B-End Panels(2) C-Shelf D-Bottom Panel  
E-Back Panel H-Toe Kick G-Drawer Parts**

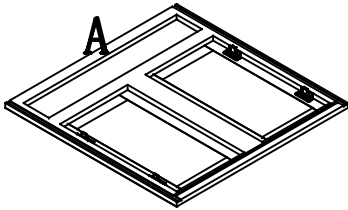
### Drawer PARTS LIST

**a-Front b-Sides(2) c-Bottom d-Back e-Drawer Slides(1 pr) f-Screws(Ø3\*30-8)**

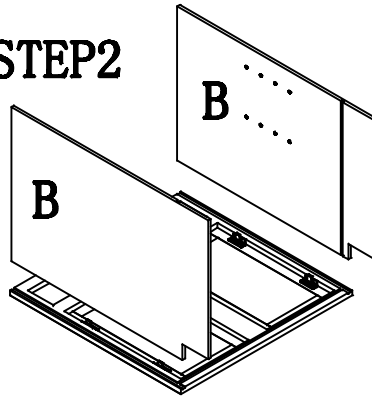
### HARDWARE PARTS LIST

**1. Shelf Clips (4) 2. Corner Braces(4) 3. Screws(Ø3.5\*25-4) 4. Screws(Ø3\*12-8)  
5. Screws(Ø3\*10-2)**

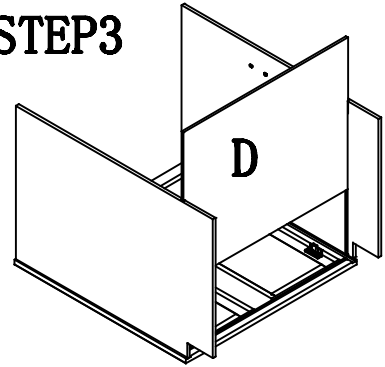
**STEP1**



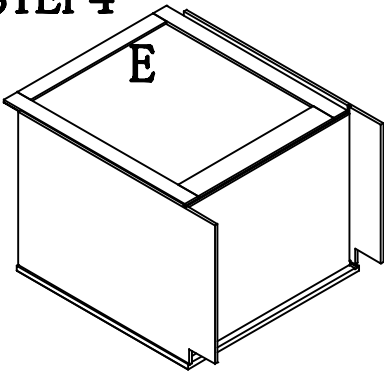
**STEP2**



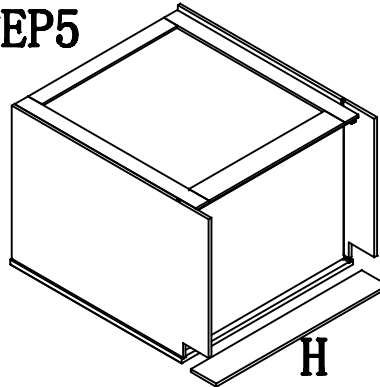
**STEP3**



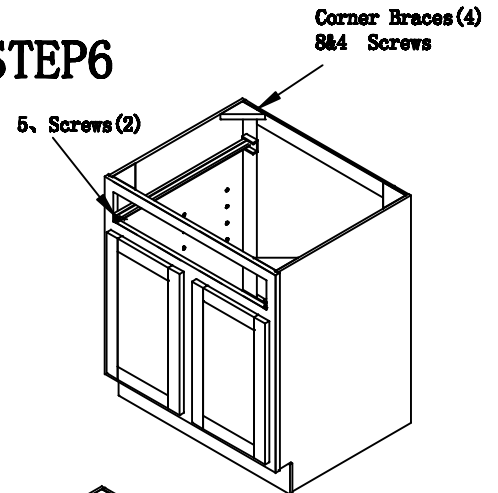
**STEP4**



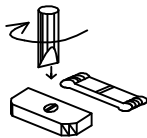
**STEP5**



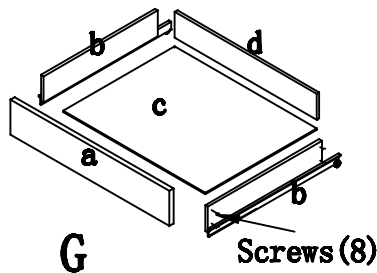
**STEP6**



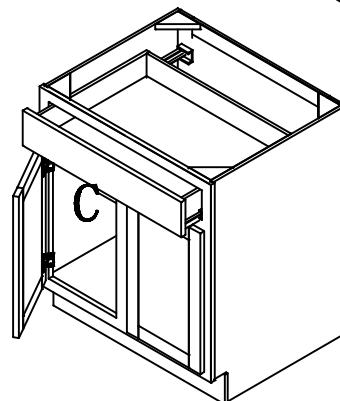
**LINK**



**STEP7**



**STEP8**



**Your cabinet is complete. For installation, consult a professional contractor or building supplier for the proper installation method or materials to be used for your existing wall condition (e.g., wood, concrete, tile, etc.).**