

ASSEMBLY INSTRUCTIONS

BASE CABINET (B33, B36, B39, B42, B48)

CABINET PARTS LIST

A-Doors & Face Frame B-End Panels(2) C-Shelf D-Bottom Panel
E-Back Panel H-Toe Kick J-Base Bottom Support G-Drawer Parts(2)

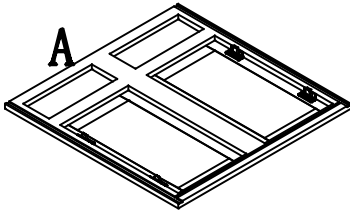
DRAWER PARTS LIST

a-Front(2) b-Sides(4) c-Bottom(2) d-Back(2) e-Drawer Slides(2 pr) f-Screws(Ø3*30-16)

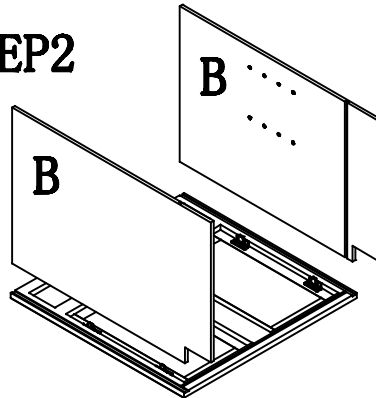
HARDWARE PARTS LIST

1. Shelf Clips (4) 2. Corner Braces(4) 3. Screws(Ø3.5*25-4) 4. Screws(Ø3*12-8)
5. Screws(Ø3-10-4)

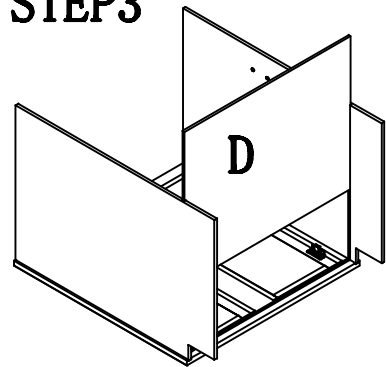
STEP1



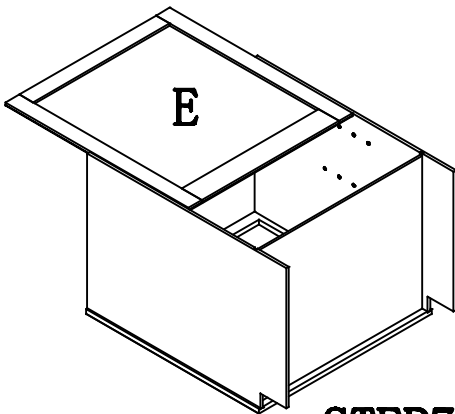
STEP2



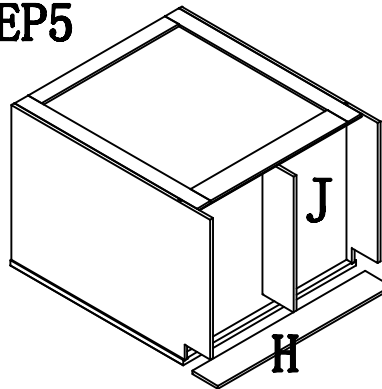
STEP3



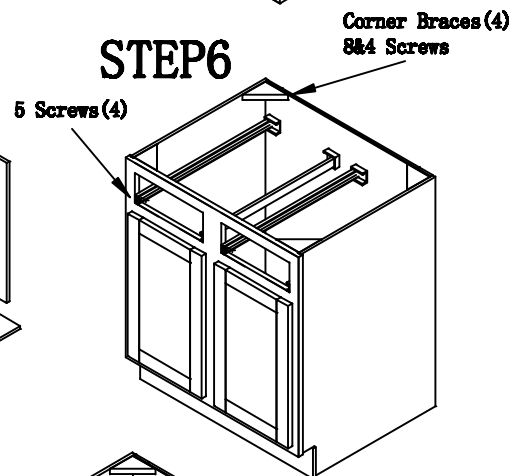
STEP4



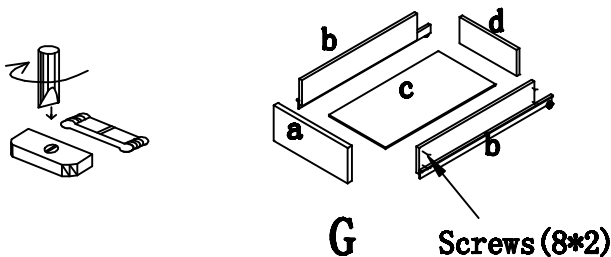
STEP5



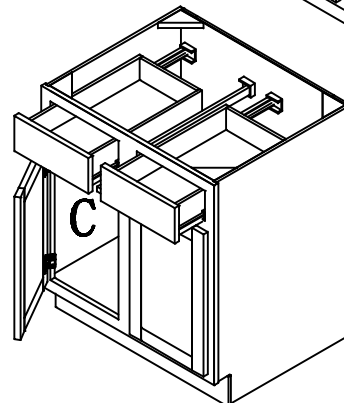
STEP6



STEP7



STEP8



Your cabinet is complete. For installation, consult a professional contractor or building supplier for the proper installation method or materials to be used for your existing wall condition (e.g., wood, concrete, tile, etc.).