

BASE CABINET(BC24)

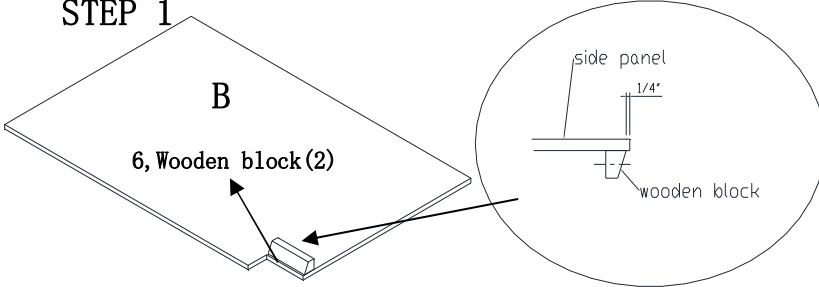
CABINET PARTS LIST

A-Doors & Face Frames(2) B-End Panels(2) C-Shelf D-Bottom Panel H-Toe Kick(2)

HARDWARE PARTS LIST

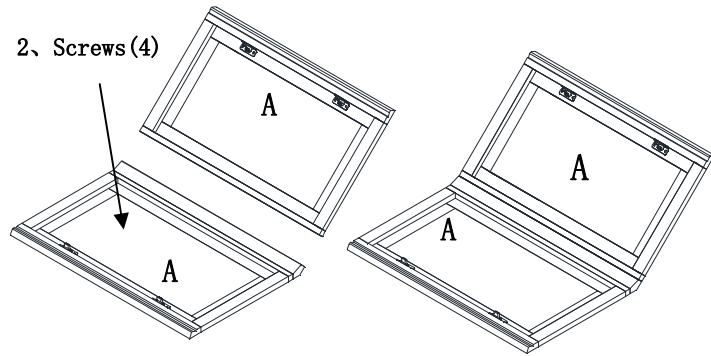
1,Shelf Clips(4) 2, Screws(ϕ 3*30-8) 3, 135 metal clip(2) 4, Screws(ϕ 3*12-8) 5, Links(9), 6, Wooden block(2)

STEP 1

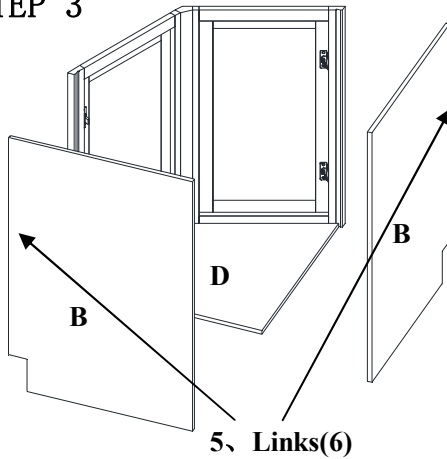


Wooden block attach to the side panel with pin

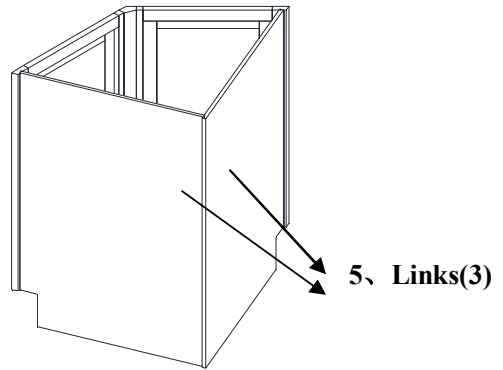
STEP 2



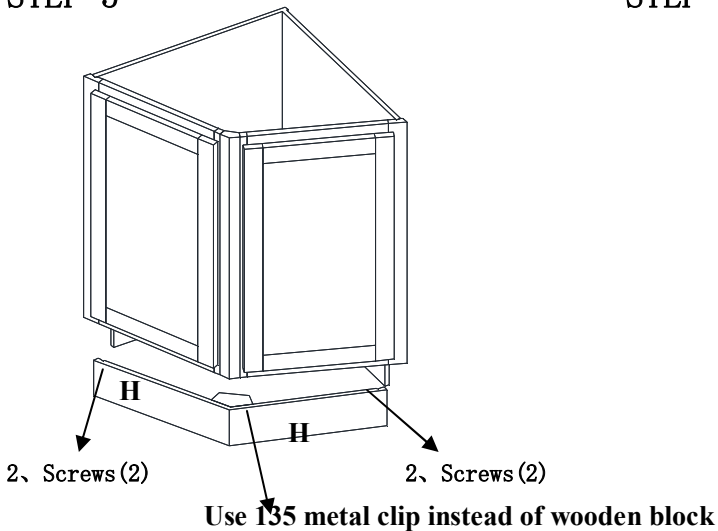
STEP 3



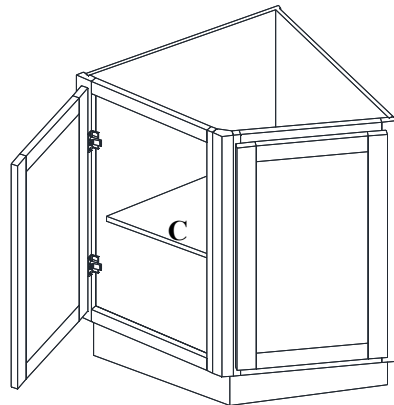
STEP 4



STEP 5



STEP 6



Your cabinet is complete. For installation, consult a professional contractor or building supplier for the proper installation method or materials to be used for your existing wall condition(e.g., wood , concrete, tile, etc.).