

ASSEMBLY INSTRUCTIONS

WALL CABINET (W2412, W2712, W3012, W3312, W3612)
(W2415, W2715, W3015, W3315, W3615)
(W2418, W2718, W3018, W3318, W3618)
(W331524, W361524)

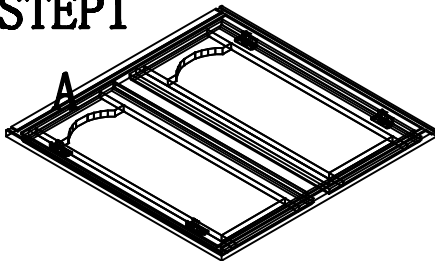
CABINET PARTS LIST

A-Doors & Face Frame **B-End Panels(2)** **D-Bottom Panel &Top Panel** **E-Back Panel**

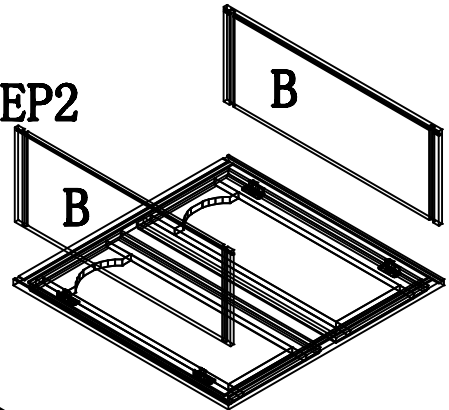
HARDWARE PARTS LIST

1. Screws (Ø3.5*25) 6 or 8

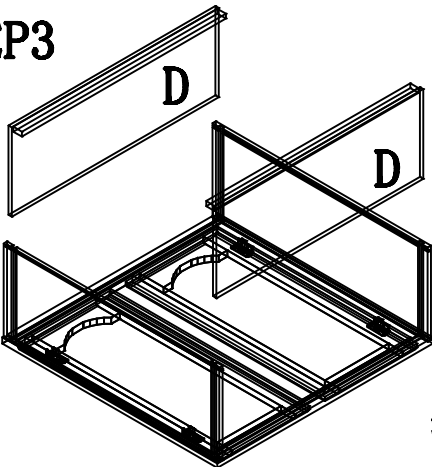
STEP1



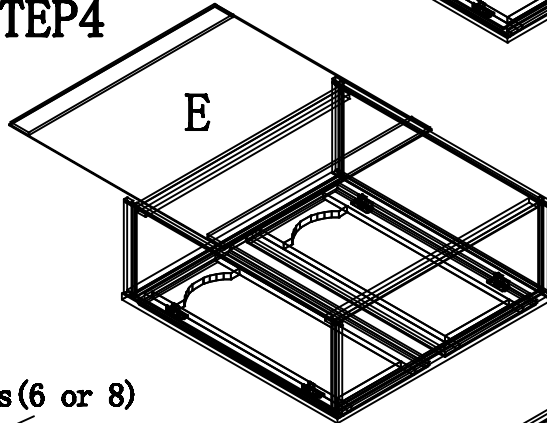
STEP2



STEP3

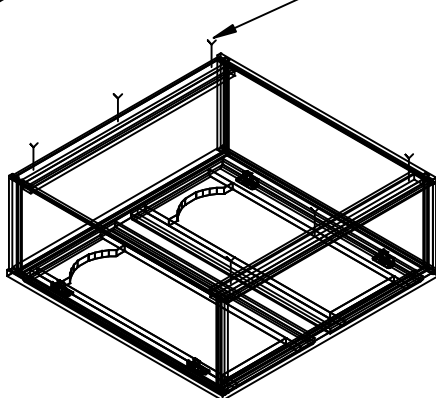
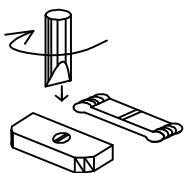


STEP4

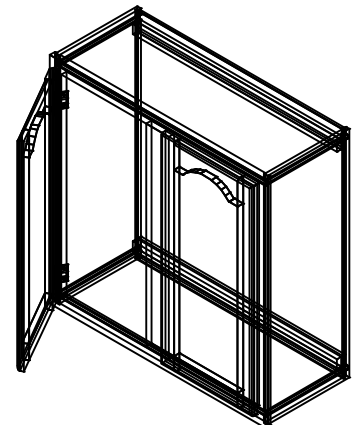


Screws (6 or 8)

STEP5



STEP6



Your cabinet is complete. For installation, consult a professional contractor or building supplier for the proper installation method or materials to be used for your existing wall condition (e.g., wood, concrete, tile, etc.).